

**WECO**



Slim.  
Elegant.  
Invisible Energy.



# 4K5 ULTRA

## ENERGY STORAGE

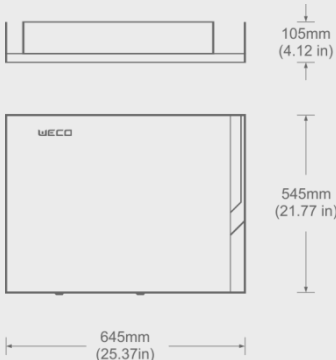
The World`s Thinnest Dual Voltage Li-Ion ESS

# 4K5 ULTRA-LV

## ENERGY STORAGE BATTERY

### Specifications

BATTERY	Module Type	Prismatic Ultra-Thin
	Cell Capacity	100 Ah
	Rated Capacity	5.1 kWh
	Cell Type	LiFePO4
SYSTEM	Rated Voltage	51.2 V
	Voltage Range	46.5 ~ 58.4 V
	Standard Charge Current	50 A
	Max. Charge Current	100 A (1C)
	Standard Discharge Current	50 A
	Max. Discharge Current	100 A (1C)
	Charge Temperature Range	-5 ~ +55 °C
	Discharge Temperature Range	-20 ~ +55 °C
	Standard Working Temperature Range	25 °C ± 10 °C
COMMUNICATION	Communication Interface	2 × CAN2.0 1 × RS232
BMS PROTECTION	Battery Protections	Over Charge / Over Discharge / Over Temperature / Over Current / Short Circuit
BASIC PARAMETERS	Dimensions (W × D × H) (mm)	644.5 × 105 × 553
	Weight	45 kg
	Installation	Wall Mounted / Stacked
	Warranty	10 Years
	Delivery Standard	UN 38.3
	Certificates	CE / IEC 62619 / IEC62040
	IP Rating	IP54
	Parallel Connection	Up to 15 Batteries in Parallel Low Voltage
	HV Application with Plug In DCDC Module	V-BOOSTER DCDC Accessory Only for HV Inverters



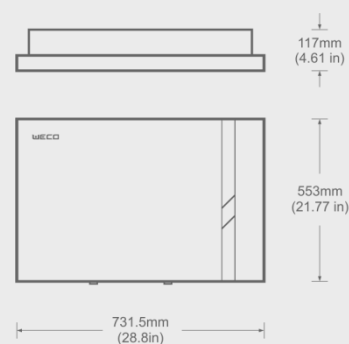
The above-mentioned temperatures are limited to the BMS ranges, such values may not be covered by the performance warranty. We recommend contacting WeCo for the most up-to-date datasheet, read warranty and manual before making any purchasing decisions. No part of this document can be copied or reproduced without WeCo written permission. All data is subject to change without prior notice.

# 4K5 ULTRA-HV

## ENERGY STORAGE BATTERY

### Specifications

BATTERY	Rated Voltage	450 V
	Voltage Range	420 ~ 480 V
	Module Type	Prismatic Ultra-Slim
	Rated Capacity	100 Ah
	Rated Energy	5.1 kWh
SYSTEM	Cell Type	LiFePO4
	Charge Mode	CC - CV
	Standard Charge Current	6.0 A @ 450 V
	Max. Charge Current	8.4 A @ 450 V (3500 W)
	Standard Discharge Current	6.0 A @ 450 V
	Max. Discharge Current	8.4 A @ 450 V (3500 W)
	Charge Temperature Range	-5 ~ +55 °C
	Discharge Temperature Range	-20 ~ +55 °C
COMMUNICATION	Standard Working Temperature Range	25 °C ± 10 °C
	Communication Interface	2 × CAN2.0 1 × RS232
BMS PROTECTIONS	Battery Protections	Over Charge / Over Discharge / Over Temperature / Over Current / Short Circuit
BASIC PARAMETERS	Dimensions (W × D × H) (mm)	731.5 × 117 × 553
	Weight	50 kg (with V-BOOSTER)
	Installation	Wall Mounted / Stacked
	Delivery Standard	UN 38.3
	Certificate	CE / IEC 62477-1 / IEC 62619 / IEC62040
	IP Rating	IP54
	Parallel Connection	<b>Up to 12 Batteries in Parallel HV</b>



The above-mentioned temperatures are limited to the BMS ranges, such values may not be covered by the performance warranty. We recommend contacting WeCo for the most up-to-date datasheet, read warranty and manual before making any purchasing decisions. No part of this document can be copied or reproduced without WeCo written permission. All data is subject to change without prior notice.



# Sustainable, and seamlessly integrated solution for modern living



WeCo Srl a Socio Unico  
Viale J. F. Kennedy 113-121  
50038 Scarperia e San Piero  
Firenze, Italy

weco@wecobatteries.com  
www.wecobatteries.com

